

Old town drinking fountain

Nostalgia

hawle

Construction characteristics

- Maximum operating pressure – 16 bar (PN 16)
- Flow rate adjustable through a regulating piston, factory settings already pre-set
- Krammer Old city drinking fountain has its design based on the styles from the turn of the century
Optional: escutcheon (shield) available at request
- Through the operation of the lever will the rotary movement be converted into a lifting movement thanks to a cam and then transferred via the lifting plate and the operating pipe into the sealing piston
- After closing of the outlet, automatic draining starts
- Compact, exchangeable sealing system can be disassembled from the top – without any excavation works
- Includes Hawle-Fit connection fittings
- Includes Hawle drainage pipe

Material | Technical features

- Pipe:** made of steel, epoxy powder-coated
- Upper section, lever, hood, trim ring:** made of ductile iron, epoxy powder-coated on all sides + external 2-component PU coating in RAL 6004 (blue-green)
other colours on request
- Valve plug:** made of stainless steel with vulcanised sealing ring
- Seal seat:** made of POM

Suitable accessories

- Discharge tray: No. KR288
- Service valve: No. 2631 (alternatives see Hawle water catalogue)
- Extension spindles: rigid No. 9101
telescopic No. 9601
- Surface boxes: rigid No. 1550, 1650
telescopic No. 1850, 1851K
- Base plate: No. 3481

Material | Technical features

- Discharge tray:** made of ductile iron, epoxy powder-coated on all sides + external 2-component PU coating in RAL 6004 (blue-green)
other colours on request

Nostalgia drinking fountain No. KR267



Symbol photo

Discharge tray No. KR288

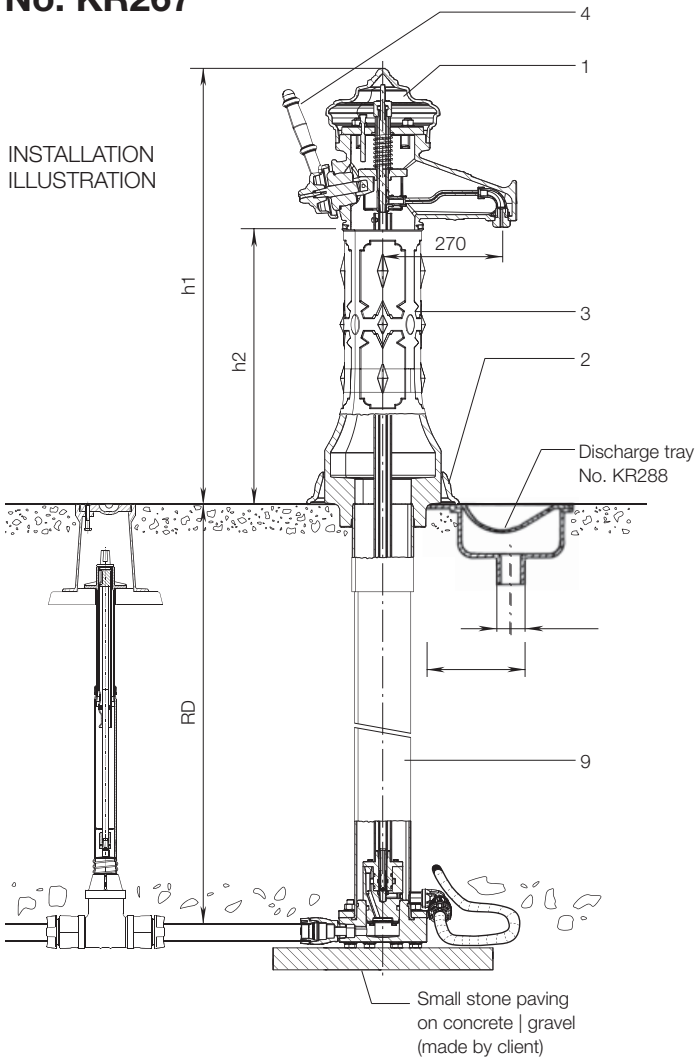


Old town drinking fountain

Nostalgia

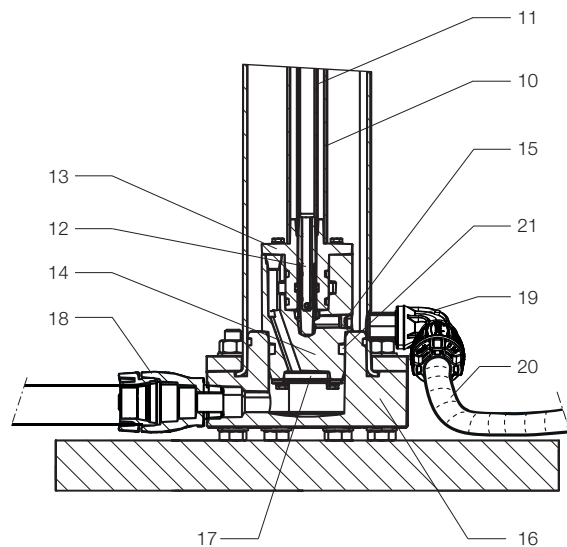
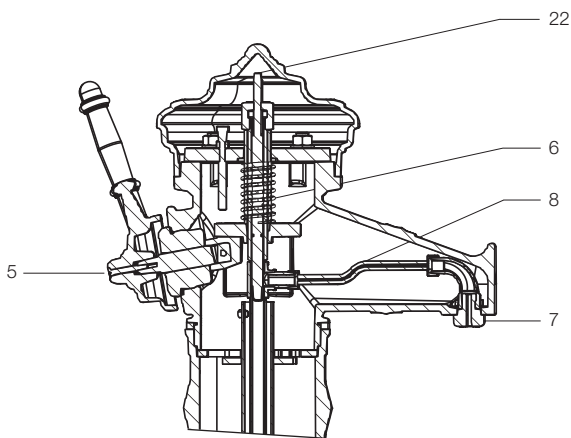


Nostalgia drinking fountain No. KR267



	Series	Material
1	Hood	Ductile iron
2	Sleeve ring	Ductile iron
3	"Old town" stand pipe	Ductile iron
4	Lever	Ductile iron
5	Hexagonal nut M 8 x 50	Stainless steel
6	Compression spring	Stainless steel
7	Nut	Brass
8	Flexible pipe	Stainless steel / elastomer
9	Stand pipe	Coated steel
10	Protection pipe	Stainless steel
11	Operating pipe	Stainless steel
12	Piston	Stainless steel / elastomer
13	Sealing seat	POM
14	Seat	POM
15	Back flow preventer	Stainless steel / POM
16	Socket flange DN 80	POM
17	Filter mesh	Stainless steel
18	Hawle-FIT 1" external thread	PP
19	Hawle-FIT 3/4" Elbow 90° internal thread	PP
20	Hawle drainage pipe	Plastic
21	O-ring	Elastomer
22	Piston	Stainless steel

RD m	h1	h2	a	Weight
1,00				95
1,25	1000	600	180	99
1,50				103



E. Hawle Armaturenwerke GmbH 4840 Vöcklabruck - Austria - Wagrainner Straße 13
Tel.: +43 (0) 7672 72576 0 - Fax: +43 (0) 7672 78464 - E-Mail: hawle@hawle.at - www.hawle.com

35