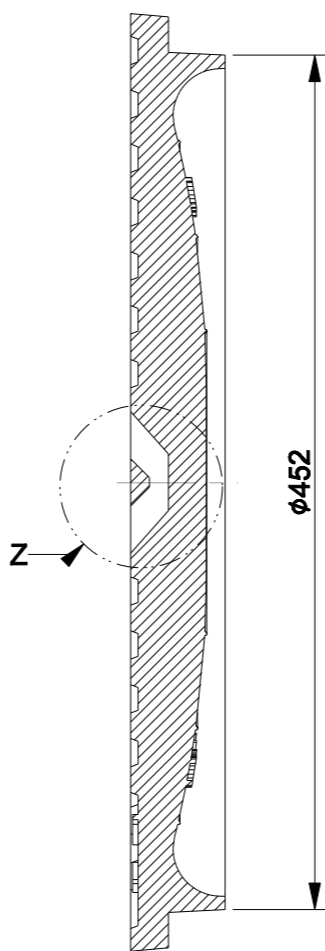
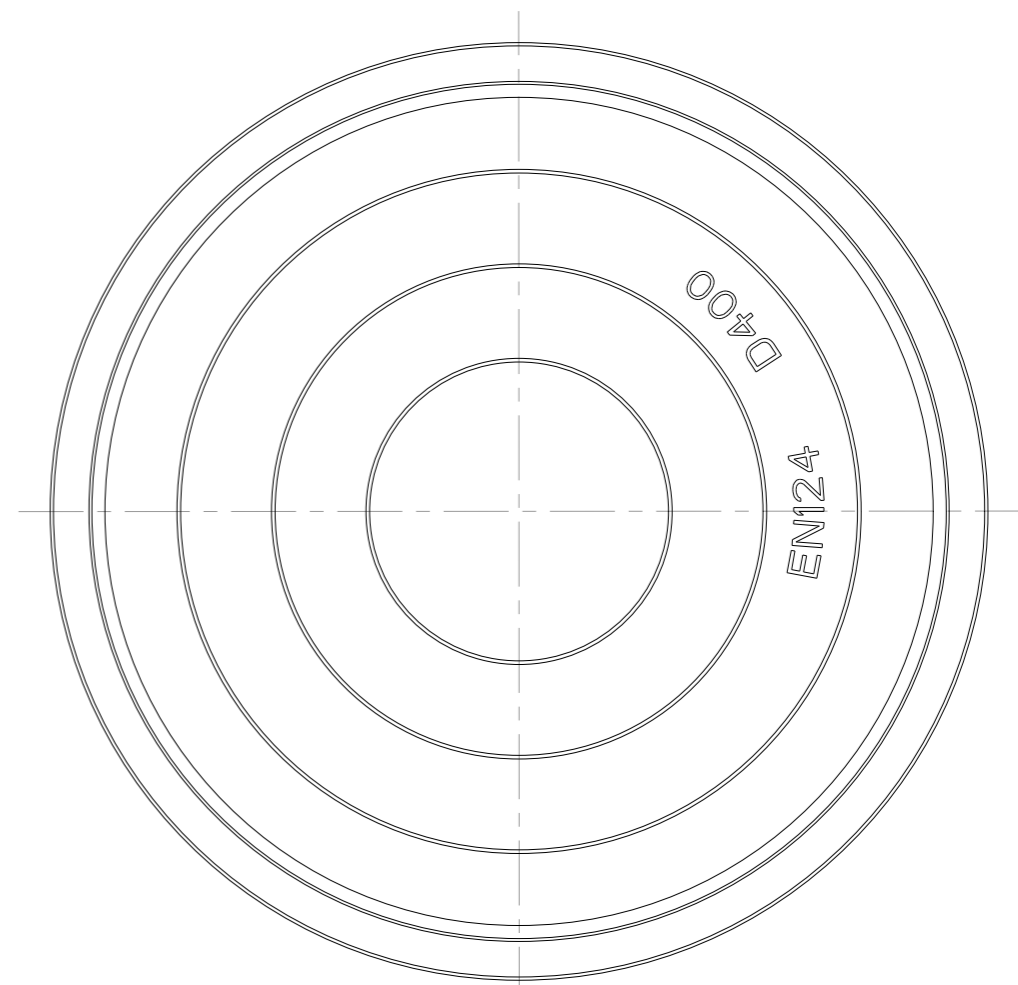


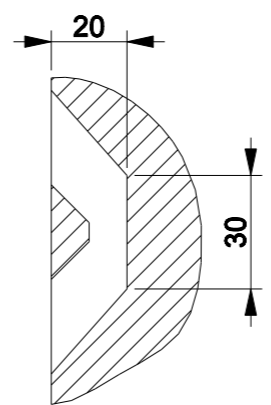
PLAN VIEW



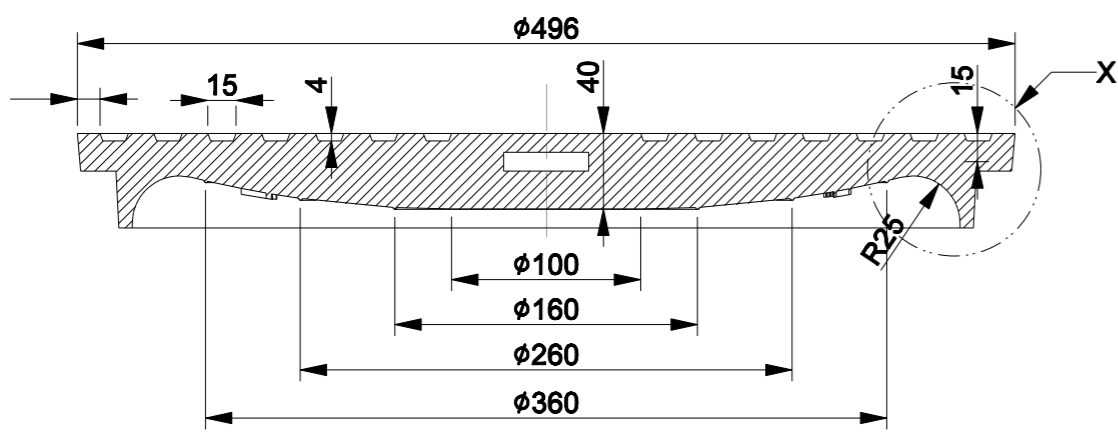
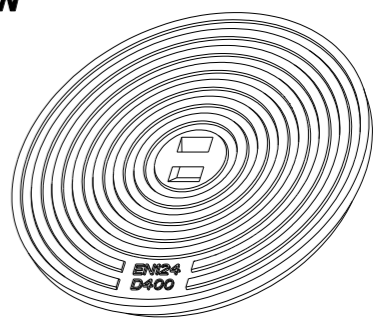
SECTION B-B



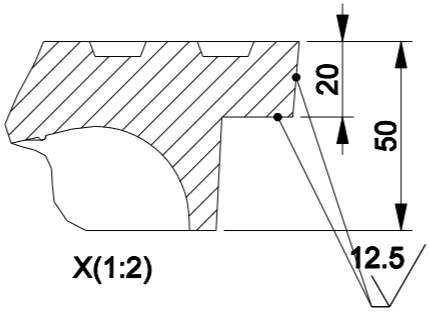
BOTTOM VIEW



Z(1:2)



SECTION A-A



X(1:2)

DN500 umbluuk